

APPLICATION:

PRODUCT NAME:

SINGLE DECK CONTROL VALVE

JOB NAME:

SPECIAL CONFIGURATION
 CHECK BASE MODEL AND OPTIONS

QUANTITY:

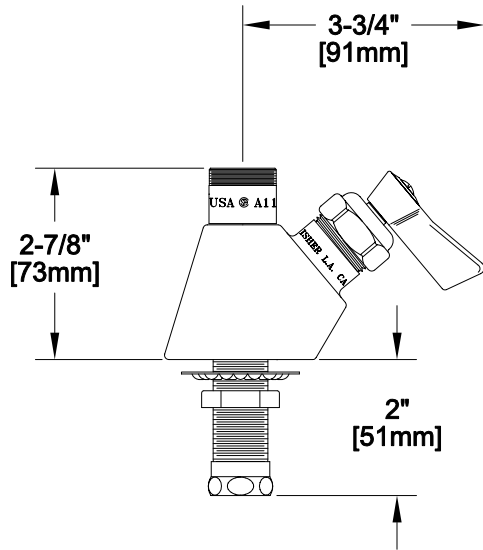
ITEM NO.

MODEL:

12815

OPTIONS OR MODIFICATIONS:

- SUPPLY LINES (24" OR 36") CIRCLE LENGTH
- HANDLES (CROSS OR WRIST) CIRCLE STYLE
- VANDAL RESISTANT KIT
- OTHER _____



FEATURES

CONTROL VALVE

- * STEM - LEFT HAND
- * HOT AND COLD INDEX BUTTONS
- * SWIVELLING SEAT DISK
- * STAINLESS STEEL SEAT
- * STAINLESS STEEL SEAT SCREW
- * STAINLESS STEEL HANDLE SCREW

SYSTEM LIMITS

- * TEMP: 40°F MIN. TO 140°F MAX.
- * PRESSURE: 200 PSI MAX. STATIC

SHIPPING WEIGHT

- * 2.75 LBS

ROUGH-IN:

